

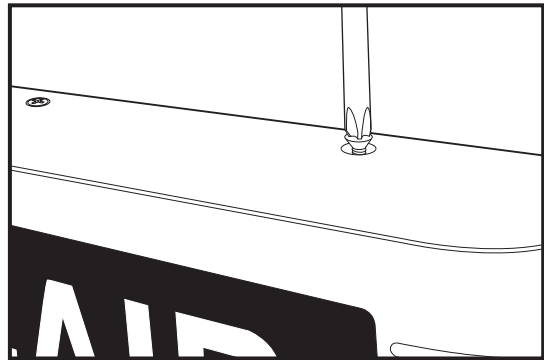
120 VOLT ON-AIR LIGHT INSTALLATION INSTRUCTIONS



10115 Carroll Canyon Road, San Diego, CA 92131
Tel: (858) 536-2927 Fax: (858) 536-2354

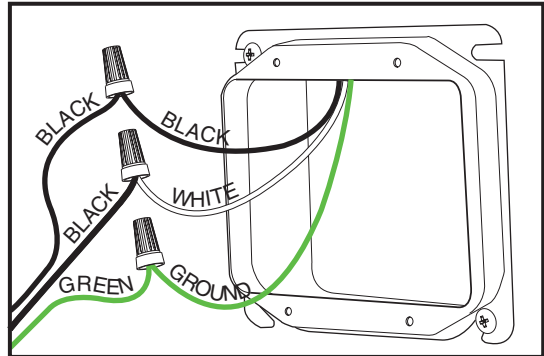
1

REMOVE THE TWO FLAT HEAD PHILLIPS SCREWS FROM THE TOP OF THE HOUSING AND SET THEM ASIDE. SEPARATE THE HOUSING FROM THE BACK PLATE AND REMOVE THE WIRE NUTS AND SCREWS THAT ARE INSIDE. REMOVE THE LIGHT BULB AND IT'S PACKAGING FROM THE SOCKET AND SET IT IN A SAFE PLACE.



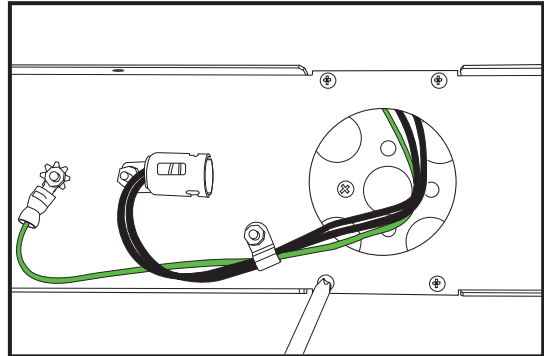
2

PRIOR TO DOING ANY ELECTRICAL WORK MAKE SURE THAT THE CIRCUIT IS SHUT OFF AT THE BREAKER PANEL. CONNECT THE WIRES WITH THE SUPPLIED WIRE NUTS. MAKE SURE THAT THE GROUND WIRE (GREEN) IS PROPERLY SECURED TO THE J-BOX OR THE COMMON GROUND.



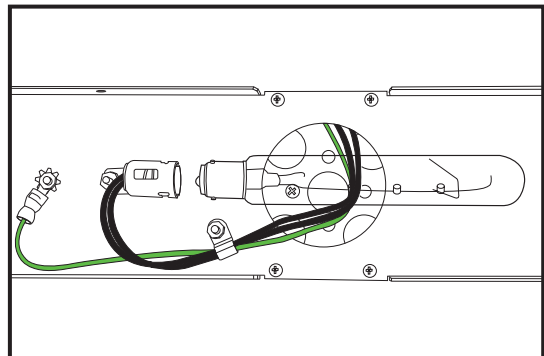
3

ATTACH THE BACK PLATE TO THE ELECTRICAL J-BOX WITH THE SUPPLIED PHILLIPS SCREWS. MAKE SURE THAT THE WIRES ARE TUCKED AWAY SECURELY.



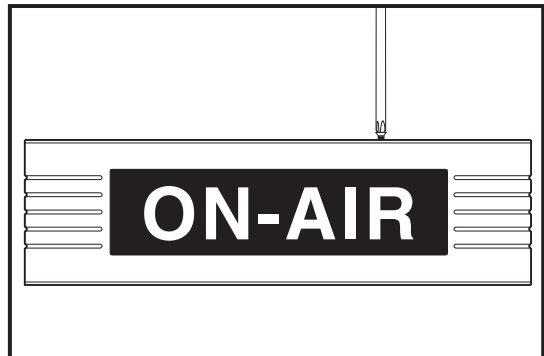
4

CAREFULLY REINSTALL THE BAYONET TYPE LIGHT BULB INTO THE SPRING LOADED SOCKET. TURN IT SO THAT THE PEGS LOCK INTO THE SLOTS AND HOLD THE BULB IN PLACE.



5

REATTACH THE ALUMINUM HOUSING WITH THE 2 PHILLIPS FLAT HEAD SCREWS THAT WERE REMOVED IN STEP 1. CLEAN OFF ALL THE FINGERPRINTS AND ENJOY.



This sign is intended to be installed in accordance with the requirements of Article 600 of the National Electrical Code and/or other applicable local codes. This includes proper grounding and bonding of the sign.